

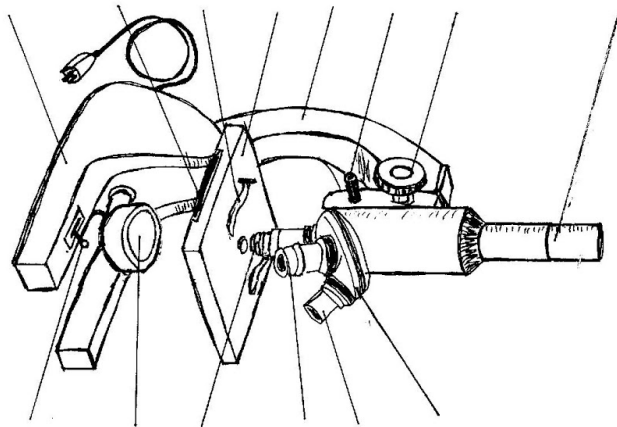
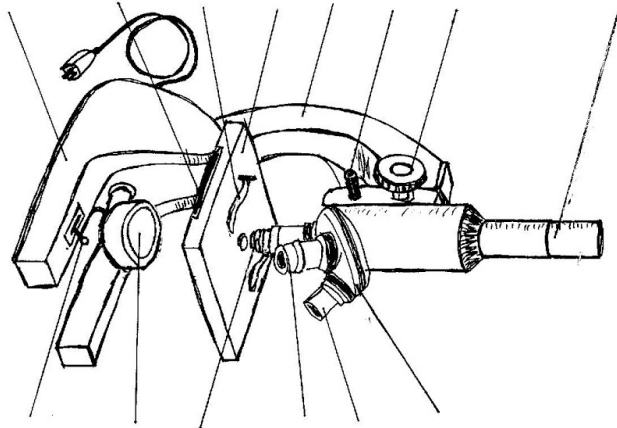
Lesson 4: Introducing the Microscope

OPENER

- ❖ Where are lenses used? Think of as many examples as you can.

Microscope Diagram Handout

Write down what you think each part is for on the diagram.



Microscope Diagram Handout **ANSWERS**

Left side

eye piece
coarse adjustment knob
fine adjustment knob
arm
stage
stage clips
diaphragm (light adjustment)
base

Right side

nosepiece
low power objective lens
medium power objective lens
high power objective lens
lamp
on/off switch

Lesson 4: Introducing the Microscope

EXTENSION

- ❖ Try to focus the microscope on a piece of paper. Draw what you see in your science notebook.

Lesson 4: Introducing the Microscope

EXIT CARD

- ❖ Explain how the structures of the microscope work together to allow you to see an object magnified.

HOMEWORK

- ❖ Create a study guide that helps you to learn and remember the structures and functions of the microscope. For example, you might make a diagram with flaps to cover the names so you can quiz yourself.