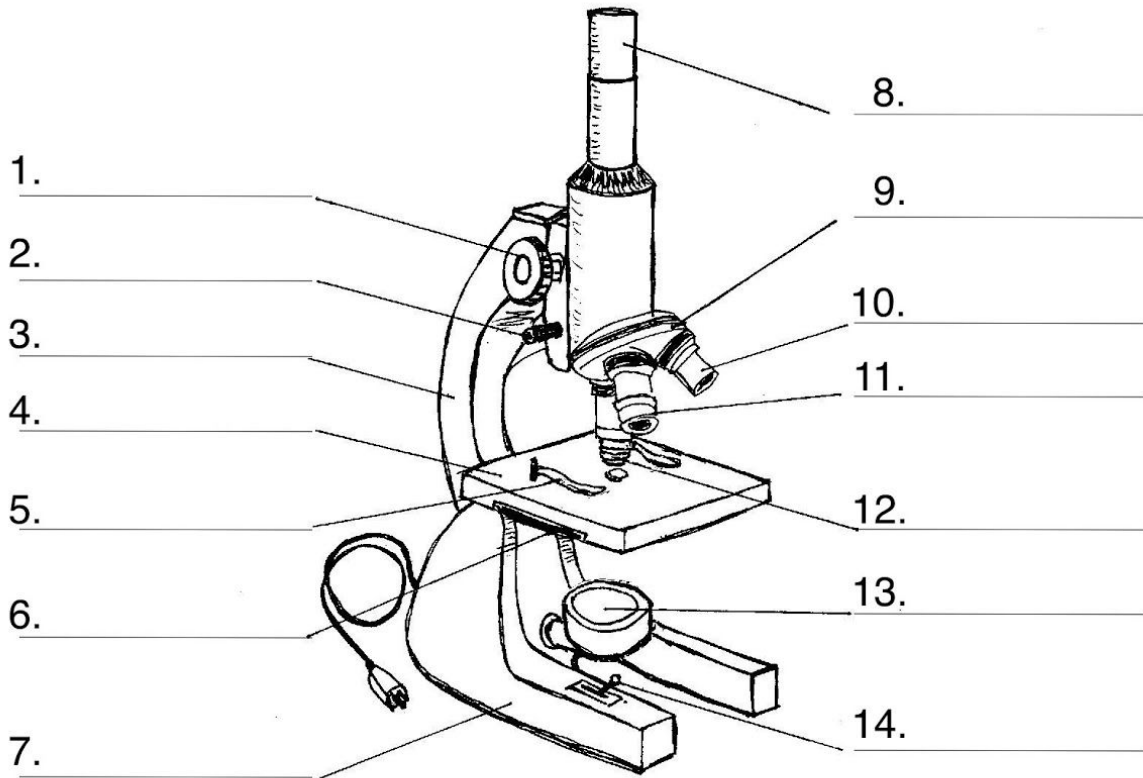


Name \_\_\_\_\_  
Period \_\_\_\_\_

### Quiz: Using a Microscope

Label the parts of the microscope. Write the correct letter in each blank.

- A. arm
- B. base
- C. coarse adjustment knob
- D. diaphragm (light adjustment)
- E. eye piece
- F. fine adjustment knob
- G. high power objective lens
- H. lamp
- I. low power objective lens
- J. medium power objective lens
- K. nosepiece
- L. on/off switch
- M. stage
- N. stage clips



Circle the correct answer.

1. To see something under the microscope, you look into the  
A. eye piece B. nosepiece C. low power lens D. medium power lens E. high power lens
2. When you want to see something magnified, you first switch to the  
A. eye piece B. nosepiece C. low power lens D. medium power lens E. high power lens
3. To switch from low power to medium power, you turn the  
A. eye piece B. nosepiece C. low power lens D. medium power lens E. high power lens
4. To bring something into focus, you first turn the  
A. eye piece B. nosepiece C. diaphragm D. coarse adjustment E. fine adjustment
5. To make the image more crisp, you use the  
A. eye piece B. nosepiece C. diaphragm D. coarse adjustment E. fine adjustment
6. To adjust the amount of light, you turn the  
A. eye piece B. nosepiece C. diaphragm D. coarse adjustment E. fine adjustment
7. When carrying the microscope, you always hold it by the  
(choose **two** answers) A. stage B. nosepiece C. base D. arm E. knobs

8. When switching objective lenses, you always look at the microscope from the side. Why?

---

---

---

9. On high power, you should **only** use the fine adjustment knob. Why?

---

---

---

10. High power is the most detailed view, but sometimes it's not the best way to look at something. Why not?

---

---

---